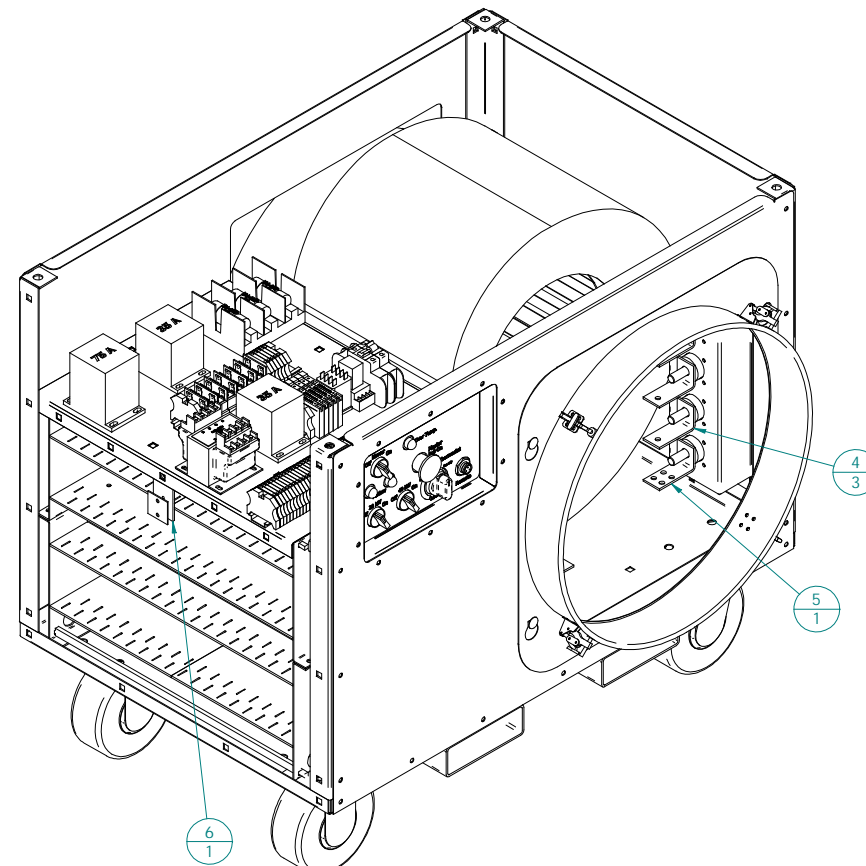
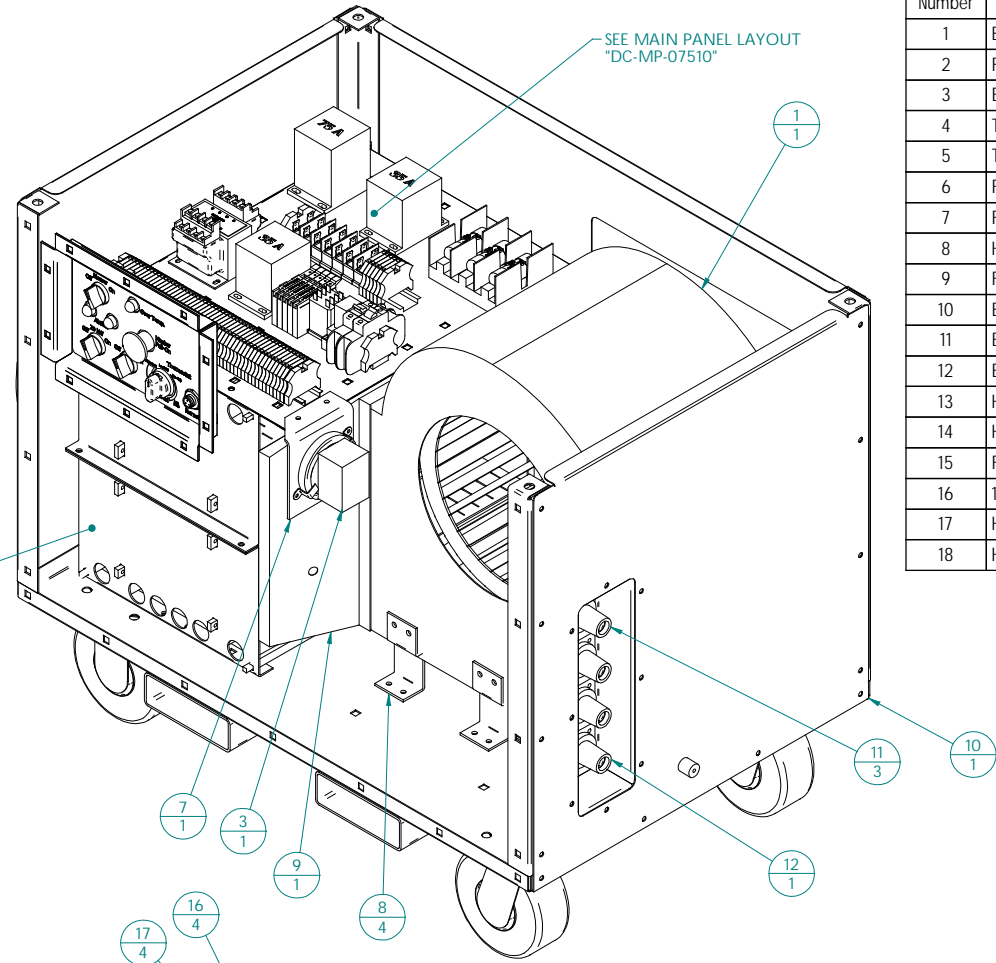


Item Number	Document Number	Title	Quantity
1	BLWR-0400-0005	Centrifugal Blower w/ 600V Motor	1
2	FR-0400-0178	Duct Transition	3
3	EC-9500-0383	Pressure Switch	1
4	TR-0400-0011	Bus Bar	3
5	TR-0400-0012	"N" Bus Bar	1
6	FR-0400-0163	OT Sensor Mount	1
7	FR-0400-0166	P S Mounting Angle	1
8	HW-9000-0233	Cent. Blwr. Mounting Legs	4
9	FR-0400-0170	Blower Transition	1
10	EN-0400-0003	Enclosure Frameset	1
11	EC-9500-0459	Hubble Male Connector (Black)	3
12	EC-9500-0460	Hubble Male Connector (White)	1
13	HW-9000-0234	6" Swivel Caster	2
14	HW-9000-0235	6" Rigid Caster	2
15	FR-0400-0165	Motor Support	1
16	1/2-13 EYEBOLT	1/2-13 x 1 1/2" EYEBOLT W/ SHOULDER	4
17	HW-9000-0255	Bonded Washer	4
18	HW-9000-0248	Hold-Down Toggle Clamp	12

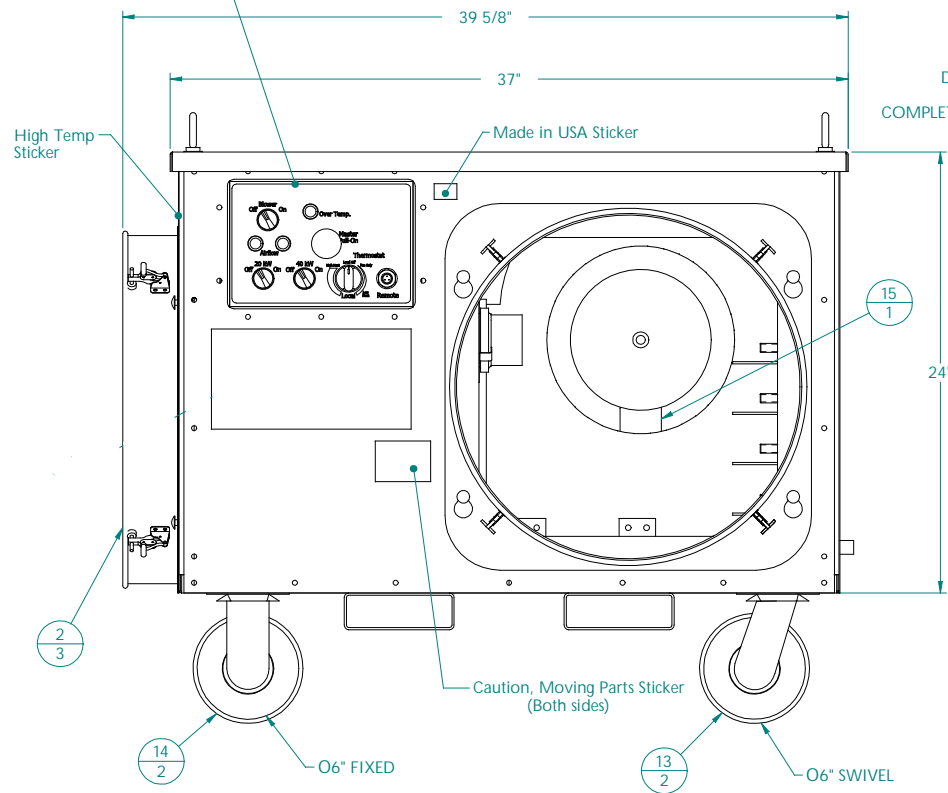


SEE RESISTOR ARRANGEMENT "DC-RAA-07510"

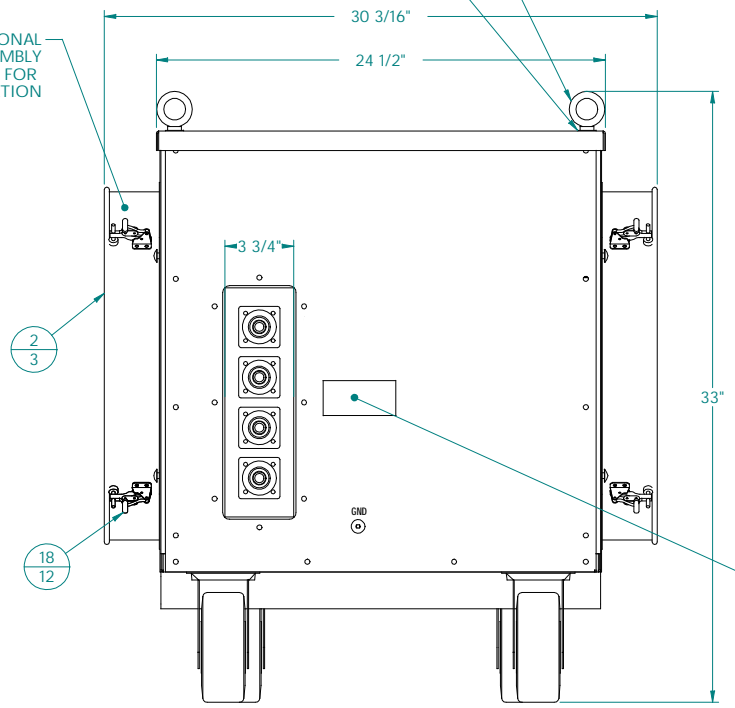


SPECIFICATIONS:
-VOLTAGE 600 VOLTS/3 PHASE/60HZ
-FULL LOAD AMPERAGE 80 AMPS
-KILOWATTS 20KW/40KW/60KW
-APPROXIMATE SUPPLY AIR FLOW RATE 5,500 CFM
-INLET DUCT DIAMETER 20" X 2
-OUTLET DUCT DIAMETER 20" X 1
-TOTAL HEATING CAPACITY 205,000BTU/HR
-DIMENSIONS L=39" X W=31" X H32"
-WEIGHT 450LBS

SEE CONTROL PANEL "DC-CP-07510"



OPTIONAL DUCT TRANSITION ASSEMBLY SEE "DC-0400-0047" FOR COMPLETE ASSEMBLY INFORMATION



L.M. TEMPERATURE CONTROL INC.

LM-EI60 ELECTRIC INLINE HEATER

Rev.	Description	Approved	Date	Tolerances
				Overall: +/- .03"
				Angular: +/- 2°
				Diameter: +/- .03"

This drawing and/or specification contains proprietary information of Mosebach Manufacturing Co. Disclosure to any unauthorized individual of the information contained here within is prohibited except with written permission of Mosebach Manufacturing.				
Size	Scale	Drawn by	Approved by	Rev.
D	NTS	A. Obringer 10/24/2007		0
			60KW	