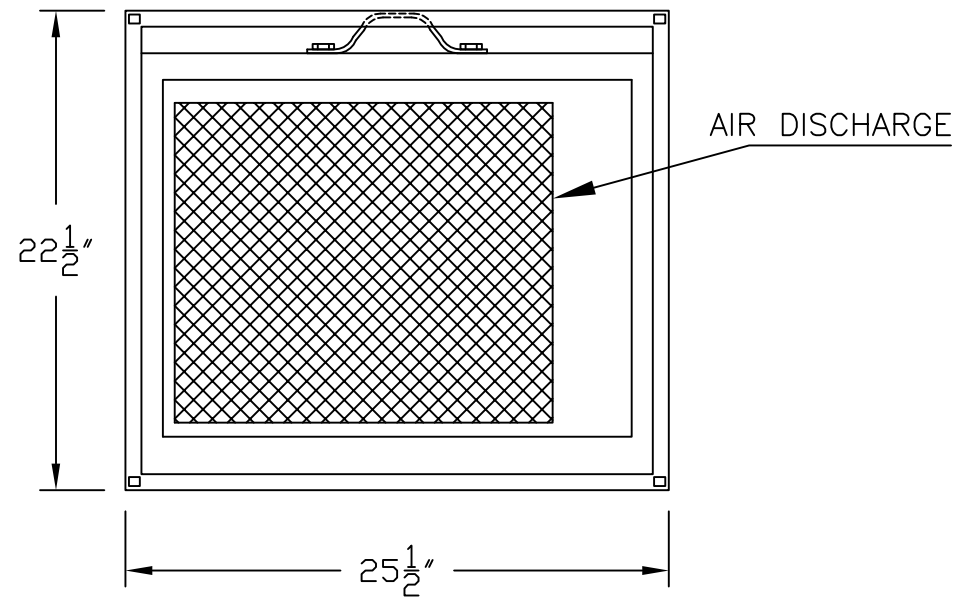
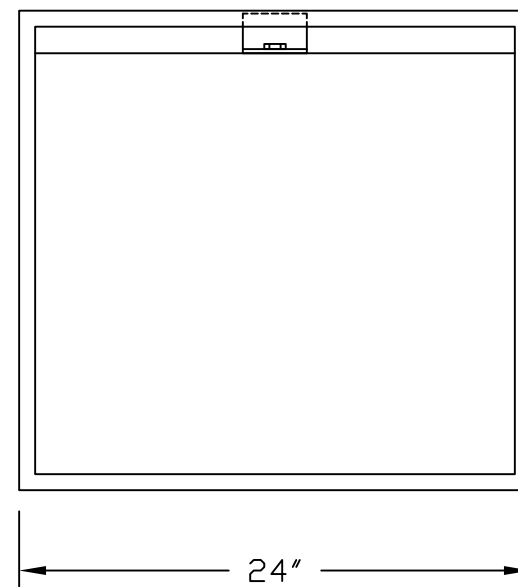


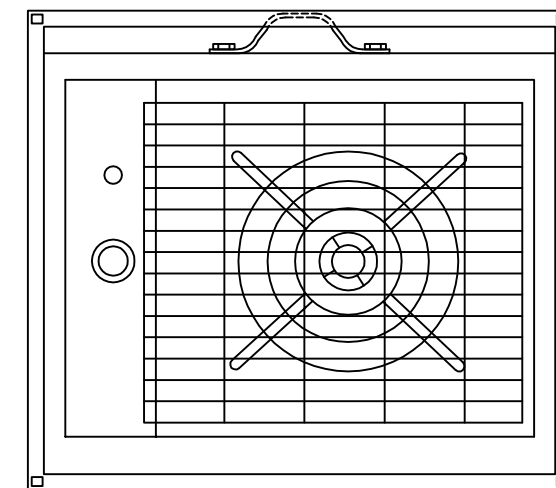
FRONT VIEW



SIDE VIEW



REAR VIEW



FEATURES

- OUTPUT: 40 KW
- INPUT: 3 PHASE, 600 VOLTS, 38 AMP
- TEMPERATURE RISE: 44 °C, 80 °F
- FLOW RATE: 1500 C.F.M.
- WEIGHT: 51 KG-112LBS.
- THERMAL BLOCK FOR 600 DIRECT CONNECTION
- THERMOSTATICALLY CONTROLLED
- OVERHEAT PROTECTION

L.M. Temperature Control Inc.

DRAWN:	APPROVED:	DRAWING NUMBER:
DATE: 07.17.06	DATE: 06.02.06	L.M. 1125