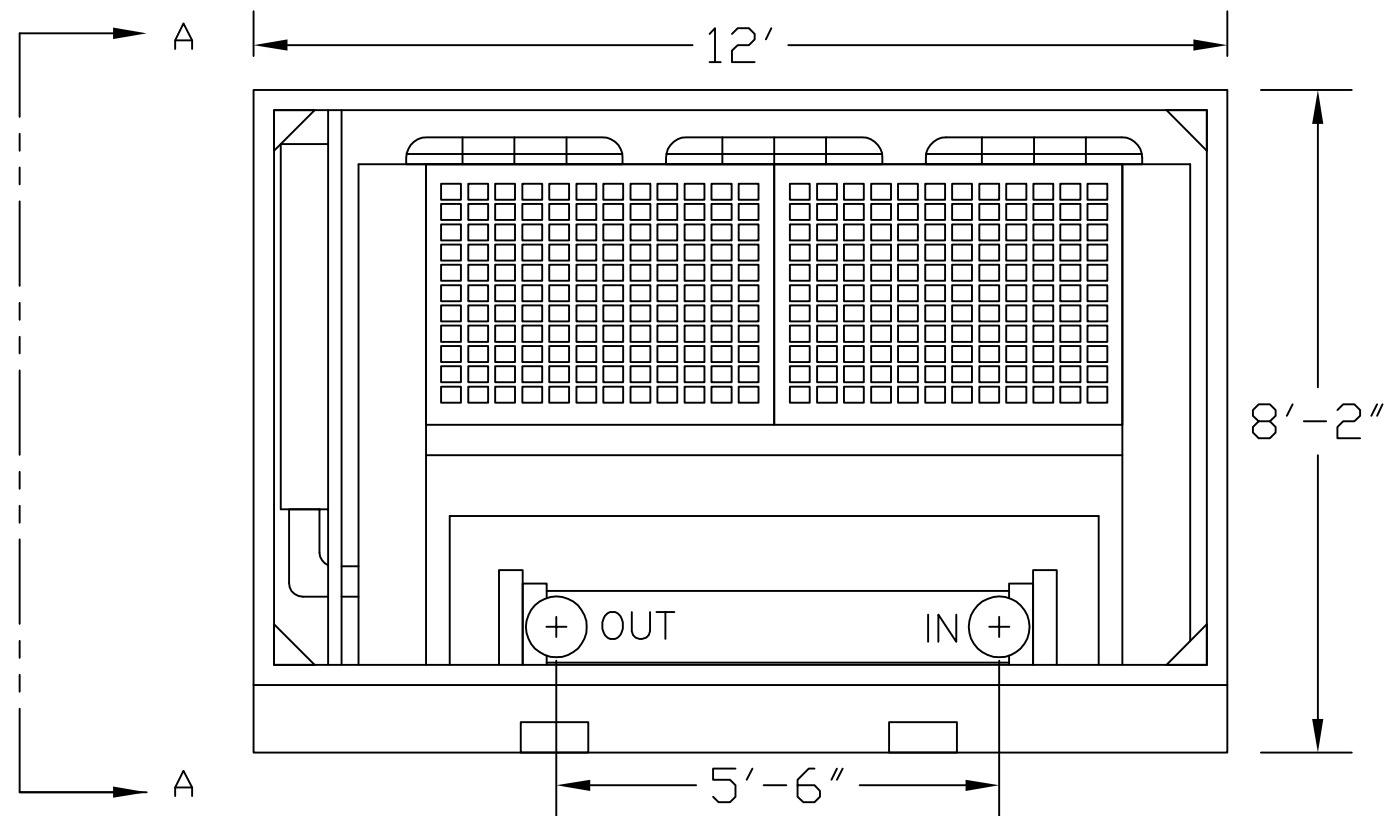


A-A



60 TON AIR COOLED CHILLER

EQUIPMENT DATA:

SERIE NUMBER: 0599F96254
 CARRIER MODEL No 30GT060510KA
 REFRIGERANT R-22(HCFC)
 #COMPRESSORS/#CIRCUITS 2/2
 MINIMUM LOAD 16 TON

PHYSICAL DATA:

OPERATING WEIGHT 7,000 LBS.
 COOLER CONNECTION 4", 150#FLANGE
 MINIMUM FLOW 48 GPM
 MAXIMUM FLOW 350 GPM
 MAXIMUM WATER PRESSURE 150 PSI
 CIRCULATING PUMP 15HP,208V/3/60HZ
 47 AMPS

ELECTRICAL REQUIREMENTS:

NOMINAL VOLTAGE 208V/3/60HZ
 FULL LOAD AMPACITY 325
 MINIMUM CIRCUIT AMPACITY 450

PUMP (SCOT PUMP) 450 GPM
 90 FOOT OF HEAD
 2"φ CONNECTIONS

L.M. Temperature Control Inc.

DRAWN:	APPROVED:	DRAWING NUMBER: LM-CH60
DATE: 08.10.06	DATE: 08.10.06	